

ARTronic®

The art of electronics



Kuru Tip Bakımsız Aküler
Dry Type Maintenance Free Batteries

www.artronic.com.tr



RT 1250 (12V5.0Ah)

RT 1250 is a general purpose battery with 5 years floating design life, meet with IEC, JIS standard. With heavy duty grid, thickness plates, special additives, RT series battery have long and reliable standby service life.



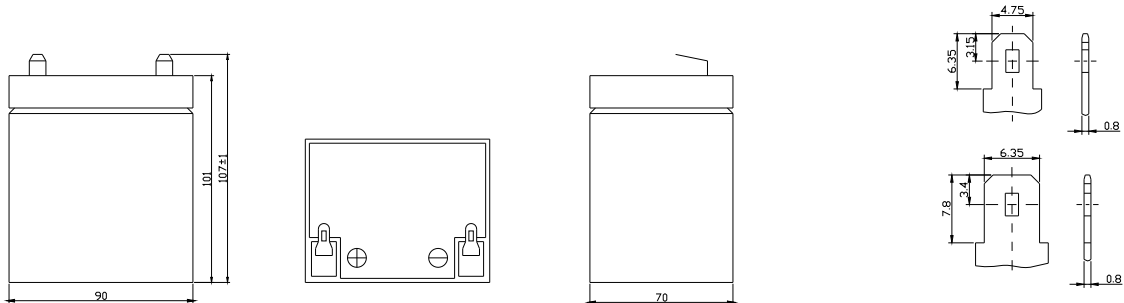
Specification

Cells Per Unit	6
Voltage Per Unit	12
Capacity	5.0Ah@20hr-rate to 1.75V per cell @25C °
Weight	Approx. 1.60 Kg
Max. Discharge Current	50 A (5 sec)
Internal Resistance	Approx. 35 mΩ
Operating Temperature Range	Discharge: -20 °C~60 °C Charge: 0C~50C ° Storage: -20C~60C °
Normal Operating Temperature Range	25C ± 5C
Float charging Voltage	13.7 to 13.9 VDC/unit Average at 25C °
Recommended Maximum Charging Current Limit	1.5 A
Equalization and Cycle Service	14.6 to 14.8 VDC/unit Average at 25C °
Self Discharge	RITAR batteries can be stored for more than 6 months at 25C. Self-discharge ratio less than 3% per month at 25C. Please charge batteries before using.
Terminal	Faston Tab 187(F1)/Faston tab 250(F2)
Constainer Material	A.B.S. (UL94-HB), Flammability resistance of UL94-V2 can be available upon request.



Dimensions

Unit: mm Dimension: 90(L) × 70 (W) × 107(H)



Constant Current Discharge Characteristics : A(25C) °

F.V/Time	5MIN	10MIN	15MIN	30MIN	1HR	2HR	3HR	4HR	5HR	8HR	10HR	20HR
9.60V	19.750	13.200	10.150	5.8650	3.4700	1.8087	1.2800	1.0500	0.8704	0.5773	0.4998	0.2805
10.0V	19.037	12.686	9.8245	5.7750	3.4500	1.7957	1.2750	1.0450	0.8652	0.5750	0.4947	0.2703
10.2V	18.008	12.294	9.5991	5.7300	3.4250	1.7913	1.2700	1.0400	0.8601	0.5727	0.4896	0.2652
10.5V	16.268	11.505	9.0993	5.6000	3.3750	1.7696	1.2650	1.0350	0.8549	0.5704	0.4845	0.2550
10.8V	14.529	10.721	8.5946	5.4650	3.3250	1.7391	1.2550	1.0300	0.8498	0.5681	0.4743	0.2448
11.1V	12.804	9.9323	8.0948	5.3300	3.2800	1.7130	1.2450	1.0250	0.8446	0.5658	0.4692	0.2397

Constant Power Discharge Characteristics : W(25C) °

F.V/Time	5MIN	10MIN	15MIN	30MIN	1HR	2HR	3HR	4HR	5HR	8HR	10HR	20HR
9.60V	216.00	140.40	114.09	70.380	41.610	21.678	15.330	12.540	12.267	6.9411	5.9085	3.3027
10.0V	210.38	140.25	112.45	69.240	41.490	21.548	15.300	12.510	12.175	6.8853	5.8479	3.1815
10.2V	206.17	136.04	109.87	68.790	41.400	21.496	15.270	12.510	12.144	6.8762	5.7873	3.1209
10.5V	186.31	130.43	104.15	67.140	40.710	21.157	15.180	12.420	12.113	6.8575	5.7267	2.9997
10.8V	166.42	122.02	98.399	65.550	40.020	20.870	15.060	12.330	12.082	6.8296	5.6358	2.9088
11.1V	146.56	113.60	92.677	63.960	39.330	20.557	14.940	12.240	12.051	6.8296	5.5449	2.8179

All mentioned values are average values.



RT 1275 (12V7.5Ah)

RT1275 is a general purpose battery with 5 years floating design life, meet with IEC, JIS standard. With heavy duty grid, thickness plates, special additives, RT series battery have long and reliable standby service life.

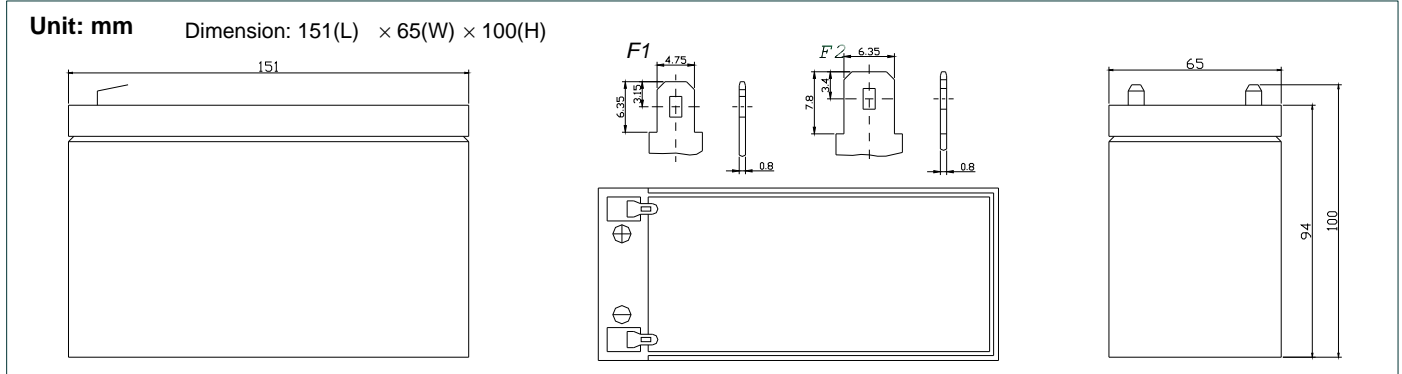


Specification

Cells Per Unit	6
Voltage Per Unit	12
Capacity	7.5Ah@20hr-rate to 1.75V per cell @25C °
Weight	Approx. 2.20 Kg
Max. Discharge Current	75 A (5 sec)
Internal Resistance	Approx. 25 mΩ
Operating Temperature Range	Discharge: -20 °C~60 °C Charge: 0C~50C ° Storage: -20C~60C °
Normal Operating Temperature Range	25C± 5C
Float charging Voltage	13.7 to 13.9 VDC/unit Average at 25C °
Recommended Maximum Charging Current Limit	2.25 A
Equalization and Cycle Service	14.6 to 14.8 VDC/unit Average at 25C °
Self Discharge	RITAR batteries can be stored for more than 6 months at 25C. Self-discharge ratio less than 3% per month at 25C. Please charge batteries before using.
Terminal	Faston Tab 187(F1)/Faston tab 250(F2)
Constrainer Material	A.B.S. (UL94-HB), Flammability resistance of UL94-V2 can be available upon request.



Dimensions



Constant Current Discharge Characteristics : A(25C) °

F.V/Time	5MIN	10MIN	15MIN	30MIN	1HR	2HR	3HR	4HR	5HR	8HR	10HR	20HR
9.60V	29.63	19.80	15.23	8.798	5.205	2.713	1.920	1.575	1.306	0.866	0.750	0.421
10.0V	28.55	19.03	14.74	8.663	5.175	2.693	1.913	1.568	1.298	0.863	0.742	0.405
10.2V	27.01	18.44	14.40	8.595	5.138	2.687	1.905	1.560	1.290	0.859	0.734	0.398
10.5V	24.40	17.26	13.65	8.400	5.063	2.654	1.898	1.553	1.282	0.856	0.727	0.383
10.8V	21.79	16.08	12.89	8.198	4.988	2.609	1.883	1.545	1.275	0.852	0.711	0.367
11.1V	19.21	14.90	12.14	7.995	4.920	2.570	1.868	1.538	1.267	0.849	0.704	0.360

Constant Power Discharge Characteristics : W(25C) °

F.V/Time	5MIN	10MIN	15MIN	30MIN	1HR	2HR	3HR	4HR	5HR	8HR	10HR	20HR
9.60V	324.0	210.6	171.1	105.6	62.42	32.52	23.00	18.81	18.40	10.41	8.863	4.954
10.0V	315.6	210.4	168.7	103.9	62.24	32.32	22.95	18.77	18.26	10.33	8.772	4.772
10.2V	309.3	204.1	164.8	103.2	62.10	32.24	22.91	18.77	18.22	10.31	8.681	4.681
10.5V	279.5	195.6	156.2	100.7	61.07	31.73	22.77	18.63	18.17	10.29	8.590	4.500
10.8V	249.6	183.0	147.6	98.33	60.03	31.30	22.59	18.50	18.12	10.24	8.454	4.363
11.1V	219.8	170.4	139.0	95.94	59.00	30.83	22.41	18.36	18.08	10.24	8.317	4.227

All mentioned values are average values.



RT 1290 (12V9.0Ah)

RT 1290 is a general purpose battery with 5 years floating design life, meet with IEC, JIS standard. With heavy duty grid, thickness plates, special additives, RT series battery have long and reliable standby service life.



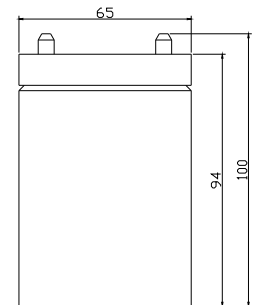
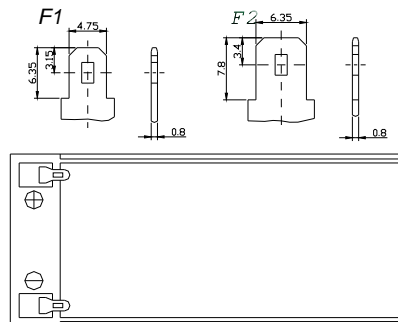
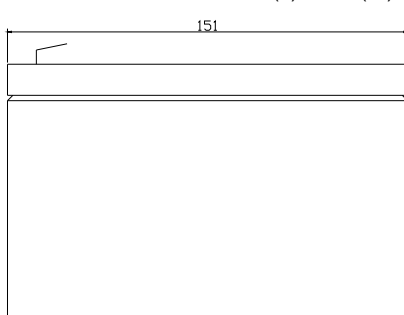
Specification

Cells Per Unit	6
Voltage Per Unit	12
Capacity	9.0Ah@20hr-rate to 1.75V per cell @25C °
Weight	Approx. 2.60Kg
Max. Discharge Current	90 A (5 sec)
Internal Resistance	Approx. 18 mΩ
Operating Temperature Range	Discharge: -20 °C~60 °C Charge: 0C~50C ° Storage: -20C~60C °
Normal Operating Temperature Range	25C± 5C
Float charging Voltage	13.7 to 13.9 VDC/unit Average at 25C °
Recommended Maximum Charging Current Limit	2.7 A
Equalization and Cycle Service	14.6 to 14.8 VDC/unit Average at 25C °
Self Discharge	RITAR batteries can be stored for more than 6 months at 25C. Self-discharge ratio less than 3% per month at 25C. Please charge batteries before using.
Terminal	Faston Tab 187(F1)/Faston tab 250(F2)
Constrainer Material	A.B.S. (UL94-HB), Flammability resistance of UL94-V2 can be available upon request.



Dimensions

Unit: mm Dimension: 151(L) × 65(W) × 101(H)



Constant Current Discharge Characteristics : A(25C) °

F.V/Time	5MIN	10MIN	15MIN	30MIN	1HR	2HR	3HR	4HR	5HR	8HR	10HR	20HR
9.60V	35.550	23.760	18.270	10.557	6.2460	3.2557	2.3040	1.8900	1.5666	1.0391	0.8996	0.5049
10.0V	34.266	22.835	17.684	10.395	6.2100	3.2322	2.2950	1.8810	1.5574	1.0350	0.8905	0.4865
10.2V	32.414	22.129	17.278	10.314	6.1650	3.2243	2.2860	1.8720	1.5481	1.0309	0.8813	0.4774
10.5V	29.282	20.709	16.379	10.080	6.0750	3.1852	2.2770	1.8630	1.5388	1.0267	0.8721	0.4590
10.8V	26.151	19.298	15.470	9.8370	5.9850	3.1304	2.2590	1.8540	1.5296	1.0226	0.8537	0.4406
11.1V	23.047	17.878	14.571	9.5940	5.9040	3.0835	2.2410	1.8450	1.5203	1.0184	0.8446	0.4315

Constant Power Discharge Characteristics : W(25C) °

F.V/Time	5MIN	10MIN	15MIN	30MIN	1HR	2HR	3HR	4HR	5HR	8HR	10HR	20HR
9.60V	388.80	252.72	205.36	126.68	74.898	39.021	27.594	22.572	22.081	12.494	10.635	5.9449
10.0V	378.68	252.45	202.41	124.63	74.682	38.786	27.540	22.518	21.914	12.394	10.526	5.7267
10.2V	371.10	244.88	197.77	123.82	74.520	38.692	27.486	22.518	21.859	12.377	10.417	5.6176
10.5V	335.35	234.78	187.47	120.85	73.278	38.082	27.324	22.356	21.803	12.343	10.308	5.3995
10.8V	299.56	219.63	177.12	117.99	72.036	37.565	27.108	22.194	21.747	12.293	10.144	5.2358
11.1V	263.81	204.48	166.82	115.13	70.794	37.002	26.892	22.032	21.692	12.293	9.9808	5.0722

All mentioned values are average values.



RT 12180 (12V18Ah)

RT 12180 is a general purpose battery with 5 years floating design life, meet with IEC, JIS standard. With heavy duty grid, thickness plates, special additives, RT series battery have long and reliable standby service life.



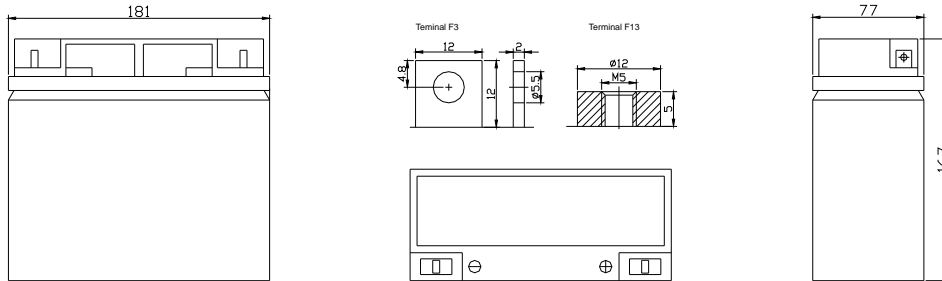
Specification

Cells Per Unit	6
Voltage Per Unit	12
Capacity	18Ah@20hr-rate to 1.75V per cell @25C °
Weight	Approx. 5.0 Kg
Max. Discharge Current	180 A (5 sec)
Internal Resistance	Approx. 14 mΩ
Operating Temperature Range	Discharge: -20 °C~60 °C Charge: 0C~50C ° Storage: -20C~60C °
Normal Operating Temperature Range	25C ± 5C
Float charging Voltage	13.7 to 13.9 VDC/unit Average at 25C °
Recommended Maximum Charging Current Limit	5.4 A
Equalization and Cycle Service	14.6 to 14.8 VDC/unit Average at 25C °
Self Discharge	RITAR batteries can be stored for more than 6 months at 25C. Self-discharge ratio less than 3% per month at 25C. Please charge batteries before using.
Terminal	Faston F3/F13
Container Material	A.B.S. (UL94-HB), Flammability resistance of UL94-V2 can be available upon request.



Dimensions

Unit: mm Dimension: 181(L) × 77 (W) × 167(H)



Constant Current Discharge Characteristics : A(25C) °

F.V/Time	5MIN	10MIN	15MIN	30MIN	1HR	2HR	3HR	4HR	5HR	8HR	10HR	20HR
9.60V	71.10	47.52	36.54	21.11	12.49	6.511	4.608	3.780	3.133	2.078	1.799	1.010
10.0V	68.53	45.67	35.37	20.79	12.42	6.464	4.590	3.762	3.115	2.070	1.781	0.973
10.2V	64.83	44.26	34.56	20.63	12.33	6.449	4.572	3.744	3.096	2.062	1.763	0.955
10.5V	58.56	41.42	32.76	20.16	12.15	6.370	4.554	3.726	3.078	2.053	1.744	0.918
10.8V	52.30	38.60	30.94	19.67	11.97	6.261	4.518	3.708	3.059	2.045	1.707	0.881
11.1V	46.09	35.76	29.14	19.19	11.81	6.167	4.482	3.690	3.041	2.037	1.689	0.863

Constant Power Discharge Characteristics : W(25C) °

F.V/Time	5MIN	10MIN	15MIN	30MIN	1HR	2HR	3HR	4HR	5HR	8HR	10HR	20HR
9.60V	777.6	505.4	410.7	253.4	149.8	78.04	55.19	45.14	44.16	24.99	21.27	11.89
10.0V	757.4	504.9	404.8	249.3	149.4	77.57	55.08	45.04	43.83	24.79	21.05	11.45
10.2V	742.2	489.8	395.5	247.6	149.0	77.38	54.97	45.04	43.72	24.75	20.83	11.24
10.5V	670.7	469.6	374.9	241.7	146.6	76.16	54.65	44.71	43.61	24.69	20.62	10.80
10.8V	599.1	439.3	354.2	236.0	144.1	75.13	54.22	44.39	43.49	24.59	20.29	10.47
11.1V	527.6	409.0	333.6	230.3	141.6	74.00	53.78	44.06	43.38	24.59	19.96	10.14

All mentioned values are average values.



RT 12280 (12V28Ah)

RT 12280 is a general purpose battery with 5 years floating design life, meet with IEC, JIS standard. With heavy duty grid, thickness plates, special additives, RT series battery have long and reliable standby service life.

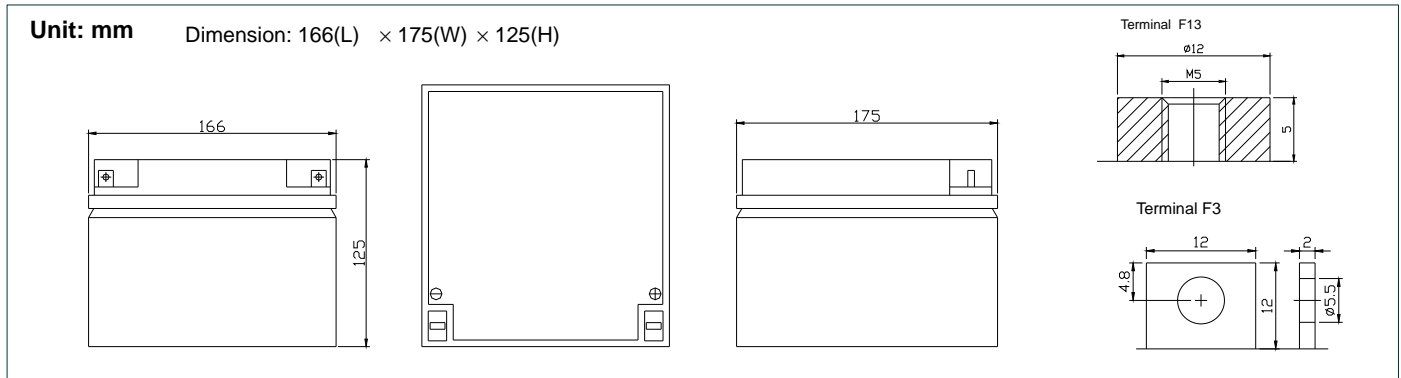


Specification

Cells Per Unit	6
Voltage Per Unit	12
Capacity	28Ah@20hr-rate to 1.75V per cell @25C °
Weight	Approx. 9.0 Kg
Max. Discharge Current	280 A (5 sec)
Internal Resistance	Approx.9 mΩ
Operating Temperature Range	Discharge: -20 °C~60 °C Charge: 0C~50C ° Storage: -20C~60C °
Normal Operating Temperature Range	25C ± 5C
Float charging Voltage	13.7 to 13.9 VDC/unit Average at 25C °
Recommended Maximum Charging Current Limit	8.4 A
Equalization and Cycle Service	14.6 to 14.8 VDC/unit Average at 25C °
Self Discharge	RITAR batteries can be stored for more than 6 months at 25C. Self-discharge ratio less than 3% per month at 25C. Please charge batteries before using.
Terminal	Faston F3/F13
Constainer Material	A.B.S. (UL94-HB), Flammability resistance of UL94-V2 can be available upon request.



Dimensions



Constant Current Discharge Characteristics : A(25C) °

F.V/Time	5MIN	10MIN	15MIN	30MIN	1HR	2HR	3HR	4HR	5HR	8HR	10HR	20HR
9.60V	100.5	72.04	52.42	32.20	18.20	11.17	7.308	6.048	4.760	3.478	2.941	1.555
10.0V	97.84	68.54	51.34	31.67	18.12	11.09	7.280	6.020	4.732	3.450	2.913	1.527
10.2V	92.20	66.12	50.53	31.39	17.95	11.00	7.224	5.992	4.704	3.422	2.884	1.499
10.5V	82.79	61.02	48.12	30.60	17.78	10.92	7.196	5.936	4.648	3.393	2.856	1.470
10.8V	74.73	55.64	44.35	29.26	17.36	10.72	7.000	5.796	4.564	3.337	2.828	1.442
11.1V	65.05	49.73	39.78	27.41	16.49	10.25	6.692	5.516	4.368	3.195	2.743	1.357

Constant Power Discharge Characteristics : W(25C) °

F.V/Time	5MIN	10MIN	15MIN	30MIN	1HR	2HR	3HR	4HR	5HR	8HR	10HR	20HR
9.60V	1048	766.0	564.0	363.4	208.2	128.5	84.34	69.89	55.10	40.36	33.07	17.47
10.0V	1026	731.7	552.3	358.8	207.1	128.0	84.17	69.72	54.77	40.19	32.73	17.30
10.2V	968.7	707.3	544.8	354.6	205.6	126.8	83.66	69.38	54.60	39.85	32.56	17.13
10.5V	872.3	653.6	519.5	346.6	203.6	125.7	83.16	68.88	54.10	39.51	32.22	16.96
10.8V	784.6	593.4	477.3	330.8	198.6	123.8	81.14	67.03	53.26	38.66	31.88	16.79
11.1V	677.3	527.0	426.2	310.0	188.2	118.1	77.11	63.84	50.57	37.31	30.86	16.11

All mentioned values are average values.



RA12-40 (12V40Ah)

RA12-40 is a general purpose battery with 10 years floating design life, meet with IEC, JIS .BS and Eurobat standard. With heavy duty grid, thickness plates, special additives, RA series battery have long and reliable standby service life. Our RA Series batteries keep high consistent for better performance in series usage.



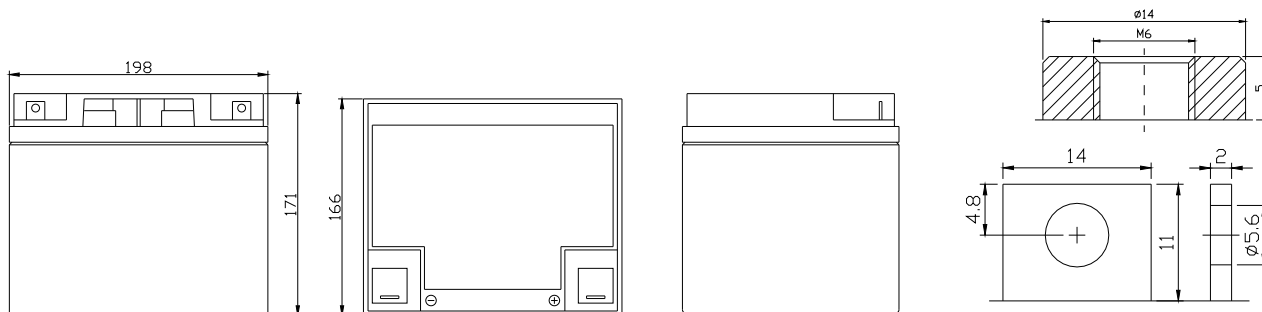
Specification

Cells Per Unit	6
Voltage Per Unit	12
Capacity	40Ah@10hr-rate to 1.75V per cell @25C °
Weight	Approx. 13.5 Kg
Max. Discharge Current	400A (5 sec)
Internal Resistance	Approx. 8 mΩ
Operating Temperature Range	Discharge: -20 °C~60 °C Charge: 0C~50C ° Storage: -20C~60C °
Normal Operating Temperature Range	25C± 5C
Float charging Voltage	13.6 to 13.8 VDC/unit Average at 25C °
Recommended Maximum Charging Current Limit	12 A
Equalization and Cycle Service	14.6 to 14.8 VDC/unit Average at 25C °
Self Discharge	RITAR batteries can be stored for more than 6 months at 25C. Self-discharge ratio less than 3% per month at 25C. Please charge batteries before using.
Terminal	Terminal F4/F11
Container Material	A.B.S. (UL94-HB), Flammability resistance of UL94-V1 can be available upon request.



Dimensions

Unit: mm Dimension: 198(L) × 166(W) × 171(H)



Constant Current Discharge Characteristics: A (25C) °

F.V/Time	5MIN	10MIN	15MIN	30MIN	1HR	2HR	3HR	4HR	5HR	8HR	10HR	20HR
9.60V	139.78	102.91	74.880	46.000	26.000	14.524	10.440	8.6400	7.0720	4.9687	4.2012	2.2218
10.0V	135.74	97.920	73.344	45.240	25.880	14.414	10.400	8.6000	7.0304	4.9283	4.1608	2.1814
10.2V	131.71	94.464	72.192	44.840	25.640	14.305	10.320	8.5600	6.9888	4.8879	4.1204	2.1410
10.5V	118.27	87.168	68.736	43.720	25.400	14.196	10.280	8.4800	6.9056	4.8475	4.0800	2.1006
10.8V	106.75	79.488	63.360	41.800	24.800	13.941	10.000	8.2800	6.7808	4.7667	4.0396	2.0602
11.1V	92.928	71.040	56.832	39.160	23.560	13.322	9.5600	7.8800	6.4896	4.5648	3.9184	1.9390

Constant Power Discharge Characteristics: W(25C) °

F.V/Time	5MIN	10MIN	15MIN	30MIN	1HR	2HR	3HR	4HR	5HR	8HR	10HR	20HR
9.60V	1466.0	1094.3	805.75	493.16	297.36	167.08	120.48	99.840	81.869	57.657	47.240	24.952
10.0V	1426.8	1045.2	789.01	487.01	295.92	166.42	120.24	99.600	81.370	57.415	46.755	24.710
10.2V	1383.8	1010.4	778.30	481.31	293.76	164.89	119.52	99.120	81.120	56.930	46.513	24.468
10.5V	1246.1	933.65	742.14	470.36	290.88	163.36	118.80	98.400	80.371	56.446	46.029	24.226
10.8V	1120.9	847.71	681.88	448.93	283.68	160.96	115.92	95.760	79.123	55.234	45.544	23.983
11.1V	967.57	752.85	608.89	420.66	268.80	153.54	110.16	91.200	75.130	53.296	44.091	23.014

All mentioned values are average values.



RA12-65 (12V65Ah)

RA12-65 is a general purpose battery with 10 years design life time in float charging use. As with all Ritar batteries, all RA models are rechargeable, highly efficient, leak proof and maintenance free.



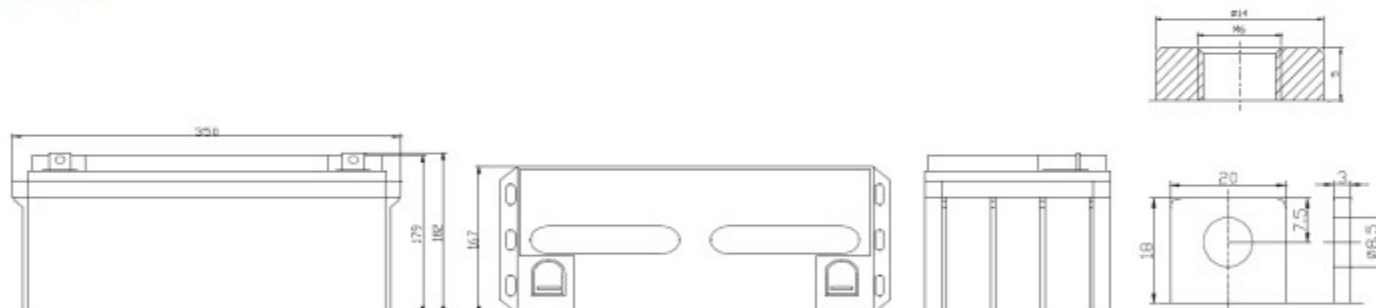
Specification

Cells Per Unit	6
Voltage Per Unit	12
Capacity	65Ah@10hr-rate to 1.75V per cell @25°C
Weight	Approx. 21 Kg
Max. Discharge Current	325 A (5 sec)
Internal Resistance	Approx. 6 mΩ
Operating Temperature Range	Discharge: -20°C~60°C Charge: 0°C~50°C Storage: -20°C~60°C
Normal Operating Temperature Range	25°C ± 5°C
Float charging Voltage	13.6 to 13.8 VDC/unit Average at 25°C
Recommended Maximum Charging Current Limit	19.5 A
Equalization and Cycle Service	14.4 to 15.0 VDC/unit Average at 25°C
Self Discharge	RITAR batteries can be stored for more than 6 months at 25°C. Please charge batteries before using. For higher temperature, the time interval will be shorter.
Terminal	Faston F5/F11
Container Material	A.B.S. (UL94-HB) Flammability resistance of UL94-V1 can be available upon request.



Dimensions

Unit: mm



Constant Current Discharge Characteristics Unit: A(25°C)

F.V/Time	5MIN	10MIN	15MIN	30MIN	1HR	2HR	3HR	4HR	5HR	8HR	10HR	20HR
1.60V	243	174	127	75	42.3	25.9	17.0	14.0	11.1	8.0	6.8	3.6
1.67V	237	166	124	74	42.1	25.7	16.9	14.0	11.0	7.9	6.7	3.5
1.70V	223	160	122	73	41.7	25.5	16.8	13.9	10.9	7.9	6.6	3.4
1.75V	200	148	116	71	41.3	25.4	16.7	13.8	10.8	7.8	6.6	3.4
1.80V	181	135	107	68	40.3	24.9	16.3	13.5	10.6	7.7	6.5	3.3
1.85V	157	120	96	64	38.3	23.8	15.5	12.8	10.1	7.3	6.3	3.1

Constant Power Discharge Characteristics Unit: W(25°C)

F.V/Time	5MIN	10MIN	15MIN	30MIN	1HR	2HR	3HR	4HR	5HR	8HR	10HR	20HR
1.60V	436	319	235	141	80.5	49.7	32.6	27.0	21.3	15.5	12.7	6.7
1.67V	427	304	230	139	80.1	49.5	32.6	27.0	21.2	15.4	12.5	6.6
1.70V	403	294	227	137	79.6	49.1	32.4	26.8	21.1	15.3	12.5	6.6
1.75V	363	272	216	134	78.8	48.6	32.2	26.7	20.9	15.1	12.4	6.5
1.80V	326	247	199	128	76.8	47.9	31.4	25.9	20.6	14.8	12.2	6.4
1.85V	282	219	177	120	72.8	45.7	29.8	24.7	19.6	14.3	11.8	6.2

All mentioned values are average values.



RA12-100 (12V100Ah)

RA12-100 is a general purpose battery with 10 years floating design life, meet with IEC, JIS, BS and Eurobat standard. With heavy duty grid, thickness plates, special additives, RA series battery have long and reliable standby service life. Our RA Series batteries keep high consistent for better performance in series usage.



Specification

Cells Per Unit	6
Voltage Per Unit	12
Capacity	100Ah@10hr-rate to 1.75V per cell @25°C
Weight	Approx. 30.0 Kg
Max. Discharge Current	1000A (5 sec)
Internal Resistance	Approx. 5mΩ
Operating Temperature Range	Discharge: -20°C~60°C Charge: 0°C~50°C Storage: -20°C~60°C
Normal Operating Temperature Range	25°C±5°C
Float charging Voltage	13.6 to 13.8 VDC/unit Average at 25°C
Recommended Maximum Charging Current Limit	30 A
Equalization and Cycle Service	14.6 to 14.8 VDC/unit Average at 25°C
Self Discharge	RITAR batteries can be stored for more than 6 months at 25°C. Self-discharge ratio less than 3% per month at 25°C. Please charge batteries before using.
Terminal	Terminal F5/F12
Container Material	A.B.S. (UL94-HB), Flammability resistance of UL94-V1 can be available upon request.



MH28539



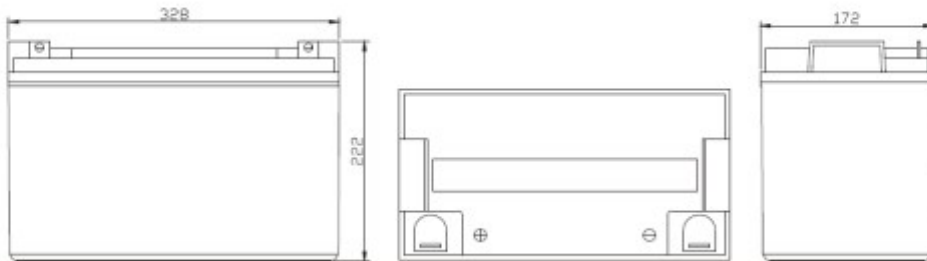
G4M20206-0910-E-16



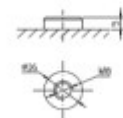
ISO9001:2000 Certificate

Dimensions

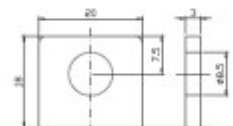
Unit: mm Dimension: 328(L)×172(W)×222(H)



Terminal F12



Terminal F5



Constant Current Discharge Characteristics: A (25°C)

F.V/Time	5MIN	10MIN	15MIN	30MIN	1HR	2HR	3HR	4HR	5HR	8HR	10HR	20HR
9.60V	349.44	257.28	187.20	115.00	65.000	36.309	26.100	21.600	17.680	12.422	10.503	5.5545
10.0V	339.34	244.80	183.36	113.10	64.700	36.036	26.000	21.500	17.576	12.321	10.402	5.4535
10.2V	329.28	236.16	180.48	112.10	64.100	35.763	25.800	21.400	17.472	12.220	10.301	5.3525
10.5V	295.68	217.92	171.84	109.30	63.500	35.490	25.700	21.200	17.264	12.119	10.200	5.2515
10.8V	266.88	198.72	158.40	104.50	62.000	34.853	25.000	20.700	16.952	11.917	10.099	5.1505
11.1V	232.32	177.60	142.08	97.900	58.900	33.306	23.900	19.700	16.224	11.412	9.7960	4.8475

Constant Power Discharge Characteristics: W(25°C)

F.V/Time	5MIN	10MIN	15MIN	30MIN	1HR	2HR	3HR	4HR	5HR	8HR	10HR	20HR
9.6V	3664.9	2735.9	2014.4	1232.9	743.40	417.69	301.20	249.60	204.67	144.14	118.10	62.381
10.0V	3566.9	2613.1	1972.5	1217.5	739.80	416.05	300.60	249.00	203.42	143.54	116.89	61.775
10.2V	3459.6	2526.1	1945.7	1203.3	734.40	412.23	298.80	247.80	202.80	142.33	116.28	61.170
10.5V	3115.3	2334.1	1855.4	1175.9	727.20	408.41	297.00	246.00	200.93	141.11	115.07	60.564
10.8V	2802.3	2119.3	1704.7	1122.3	709.20	402.40	289.80	239.40	197.81	138.09	113.86	59.958
11.1V	2418.9	1882.1	1522.2	1051.7	672.00	383.84	275.40	228.00	187.82	133.24	110.23	57.536

All mentioned values are average values.



Katalog 5Ah~100Ah arası için hazırlanmıştır. Diğer kapasite ve tipte aküler için lütfen sorunuz.
Catalog is prepared for 5Ah~100Ah range. Please ask for other types and capacities.

